

Pneumatic Flange Type Ball Valve

Standard

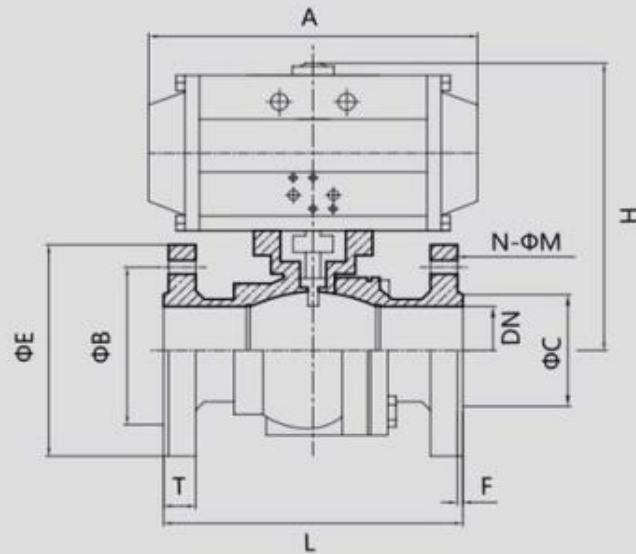
Design: BS5351
 Structure length: ANSI B16.10/JISB2002/PN 16
 Flange Dimension: ANSI B16.5/JISB2210/PN16
 Testing: API598

Application

For general chemical and industrial services
 Pressure and temperature range refer to the standard

Specification

Fire-safety design
 Body material: CF8M, CF8, CF3M
 Additive: PTFE (-20°C ~150°C)
 PPL (-20°C ~280°C)
 Flexible graphite (-20°C ~150°C)



Model	L	T	F	E	B	C	H	A	N-ΦM	Actuator
RBVP41-2-15	130	14	2	95	65	46	147	143	4-14	RAT052DA
RBVP41-2-20	130	16	2	105	75	56	152	143	4-14	RAT052DA
RBVP41-2-25	140	16	2	115	85	65	163	143	4-14	RAT063DA
RBVP41-2-32	165	18	2	140	100	76	184	173	4-18	RAT063DA
RBVP41-2-40	165	18	2	150	110	84	201	190	4-18	RAT075DA
RBVP41-2-50	203	20	2	265	125	99	219	196.5	4-18	RAT083DA
RBVP41-2-65	222	20	2	185	145	118	249	241	4-18	RAT092DA
RBVP41-2-80	241	20	2	200	160	132	272	263.5	4-18	RAT105DA
RBVP41-2-100	305	22	2	220	180	156	321	319	8-18	RAT125DA
RBVP41-2-125	356	22	2	250	210	184	381	390	8-18	RAT140DA
RBVP41-2-150	394	24	2	285	240	211	458	515	8-22	RAT190DA
RBVP41-2-200	457	24	2	340	295	266	534	560	12-22	RAT210DA